

BLISS
AMERICAS

Series-E
Bliss Liquid Level Gauge



THE
SPIRIT®
TO WALK AN EXTRA
MILE

Bliss Series-E Reflex & Transparent Gages

For Pressures Up to 300# ANSI

The Series-“E” gauge is Medium Pressure level gauge with increased visible range per gage section. The Series-“E” features a recessed gasket surface, bar-stock covers and ASTM Alloy grade bolting. These gauges are not recommended for Saturated Steam service. These gauges can be supplied with a variety of “Bliss” gages cocks / valves with Offset and Straight Patterns.

Key Features

- ~ Recessed Gasket Seat in Liquid Chamber and Cover
- ~ Pressure up to 300# ASME Gage.
- ~ Tempered Borosilicate Glass
- ~ Imported die-cut high quality Non-Asbestos Gaskets.
- ~ NACE MR-0175 & MR-0103.
- ~ All Gages features a continuous, one piece chamber regardless of length
- ~ Gage Connection 1/2” NPT (F)



Series-E (Transparent)

Series-E (Reflex)



**Gauge Valve
(Straight Pattern)**

PRESSURE / TEMPERATURE RATINGS

Carbon Steel Chamber			
Temperature		Pressure	
°F	°C	PSI	BarG
100	38	750	51.7
200	93	750	51.7
300	149	730	50.3
400	204	705	48.6
500	260	665	45.9
600	316	605	41.7

NOTE: Flanged gages are derated to flange rating, if applicable

PRESSURE / TEMPERATURE RATINGS

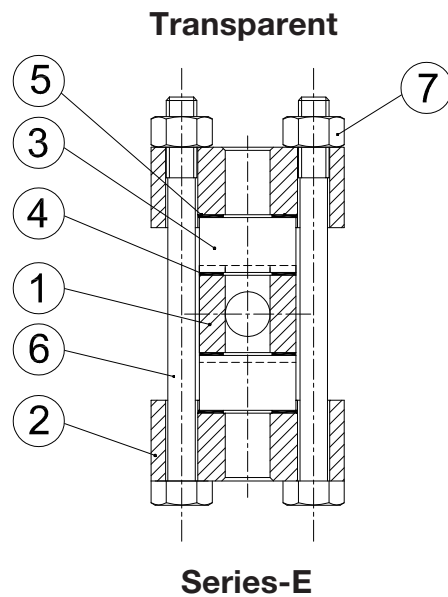
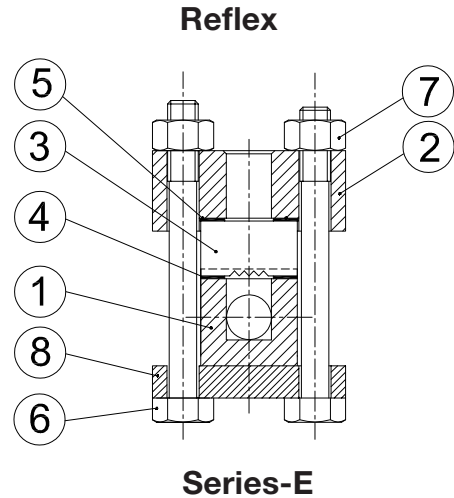
Stainless Steel Chamber			
Temperature		Pressure	
°F	°C	PSI	BarG
100	38	720	49.6
200	93	620	42.7
300	149	560	38.6
400	204	515	35.5
500	260	480	33.1
600	316	450	31.0

NOTE: Flanged gages are derated to flange rating, if applicable

TEST PRESSURE: All gages are hydrostatically tested by Bliss Anand prior to shipment @ 1 1/2 times the design pressure rating at 100°F (38°C).

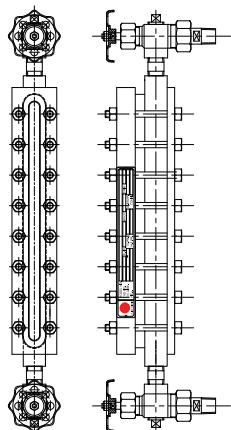
Dimensions Bliss Series-E Reflex & Transparent

Sect. X Size	Visible Range	Overall Length
	mm	mm
11	95	135
12	120	160
13	145	185
14	170	210
15	200	240
16	230	270
17	260	300
18	300	340
19	320	360
23	330	370
24	380	420
25	440	480
26	500	540
27	560	600
28	640	680
29	680	720
36	770	810
37	860	900
38	980	1020
39	1040	1080
47	1160	1200
48	1320	1360
49	1400	1440
57	1460	1500
58	1660	1700
59	1760	1800
68	2000	2040
69	2120	2160
78	2340	2380
79	2480	2520
88	2680	2720
89	2840	2880
98	3020	3060
99	3200	3240

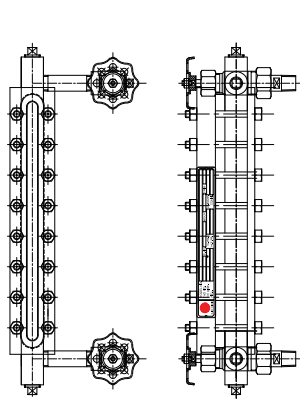


Standard Bills of Material					
Item	Part	Carbon Steel	Low Temp. Matl.	Stainless steel Parts in Contact	All Metal Parts in Stainless Steel
1	Liquid Chamber	ASTM A696 Gr C	LF2	SS-316/316L	SS-316/316L
2	Cover Plate	CS	LF2	CS	SS-316/316L
3	Glass	Tempered Borosilicate			
4	Gasket	Garlock® IFG 5500 (NON-ASBESTOS)			
5	Cushion	Garlock® IFG 5500 (NON-ASBESTOS)			
6	Bolt	ASTM A193 Gr. B7 (Zinc Plated)			ASTM A193 Gr. B8M
7	Nut	ASTM A194 Gr. 2H (Zinc Plated)			ASTM A194 Gr. 8M
8	Back Plate (For Reflex)	CS	LF2	CS	SS-316/316L

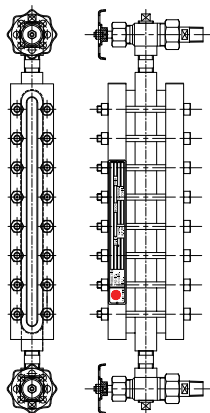
Vessel & Tank Connection Arrangement with Straight Pattern Valve



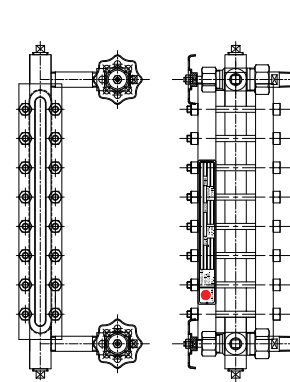
Series-E Reflex
(End Connected)



Series-E Reflex
(Side Connected)



Series-E Transparent
(End Connected)



Series-E Transparent
(Side Connected)

Optional Accessories

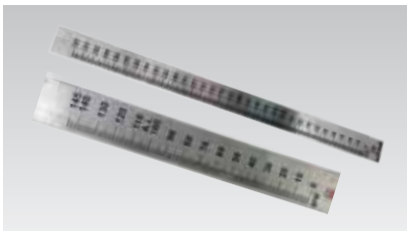
Illuminator

Transparent level gauge are supplied with illuminator both explosion proof and weather proof.



Scales

Metallic engraved scale can be supplied with desired graduation.



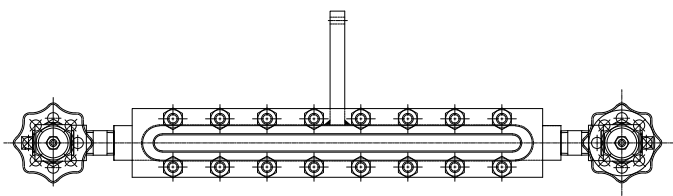
Non-Frosting Shield

Non-frosting Shields supplied for sub zero application for both reflex and transparent type level gauges.



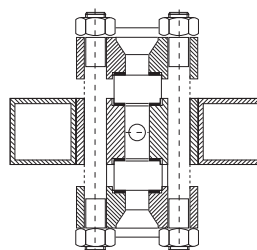
Support Brackets

Support brackets are recommended when the overall gauge length exceeds 1.5 meters.

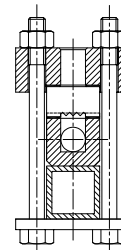


Heating jacket

Heating jackets can be provided for process gauge both for reflex and transparent types.



E Type Transparent



E Type Reflex

BLISS
AMERICAS

202 Industrial Blvd #804, Sugar Land, TX 77478, USA

Ph.: +1 (281) 479-2547 (BLIS) | Fax: +1 (281) 542-7000 | e-mail: sales@blissamericas.com

GLOBAL
PRESENCE

UNITED STATES OF AMERICA | UNITED ARAB EMIRATES | INDIA
THE NETHERLANDS | KINGDOM OF SAUDI ARABIA

The spirit to walk an extra mile

www.blissamericas.com